

PLEASE CHECK WWW.MOLEX.COM FOR LATEST PART INFORMATION

Part Number: [0190390007](#)
Status: **Active**
Description: Avikrimp™ Snap Plug Receptacle for 14-16 AWG Wire, Nylon, Fits Male Plug Diameter 3.96mm (.156")

Documents:

[Drawing \(PDF\)](#) [RoHS Certificate of Compliance \(PDF\)](#)

Agency Certification

CSA LR18689
 UL E152602

General

Product Family Quick Disconnects
 Series [19039](#)
 Comments Fits Male Plug Dia. 3.96mm (.156")
 Crimp Quality Equipment Yes
 MolexKits Yes
 Product Name Avikrimp™
 Type Snap Receptacle

Physical

Barrel Type Closed
 Color - Resin Natural
 Flammability 94V-0
 Gender Female
 Glow-Wire Compliant No
 Insulation Nylon (PA)
 Lock to Mating Part None
 Material - Metal Brass
 Material - Plating Mating Tin
 Material - Plating Termination Tin
 Material - Resin Nylon
 Orientation Straight
 Packaging Type Bag
 Plating min: Mating (µin) 160
 Plating min: Mating (µm) 4
 Plating min: Termination (µin) 160
 Plating min: Termination (µm) 4
 Tab Thickness N/A
 Tab Width N/A
 Temperature Range - Operating -40°C to +105°C
 Termination Interface: Style Crimp or Compression
 Wire Insulation Diameter 3.81mm (.150") max.
 Wire Size AWG 14, 16
 Wire Size mm² 1.00 - 2.50

Electrical

Voltage - Maximum Per Wire Specification

Material Info

Old Part Number BRB-8156N

Reference - Drawing Numbers

Sales Drawing SD-19039-001

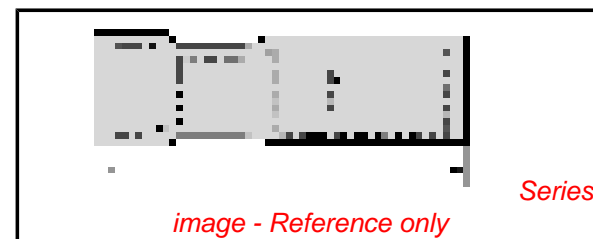


image - Reference only

EU RoHS

ELV and RoHS Compliant
REACH SVHC
 Not Reviewed
Halogen-Free Status
 Not Reviewed

China RoHS



Need more information on product environmental compliance?

Email productcompliance@molex.com
 For a multiple part number RoHS Certificate of Compliance, [click here](#)

Please visit the [Contact Us](#) section for any non-product compliance questions.

Search Parts in this Series

[19039Series](#)

Application Tooling | FAQ

Tooling specifications and manuals are found by selecting the products below. Crimp Height Specifications are then contained in the Application Tooling Specification document.

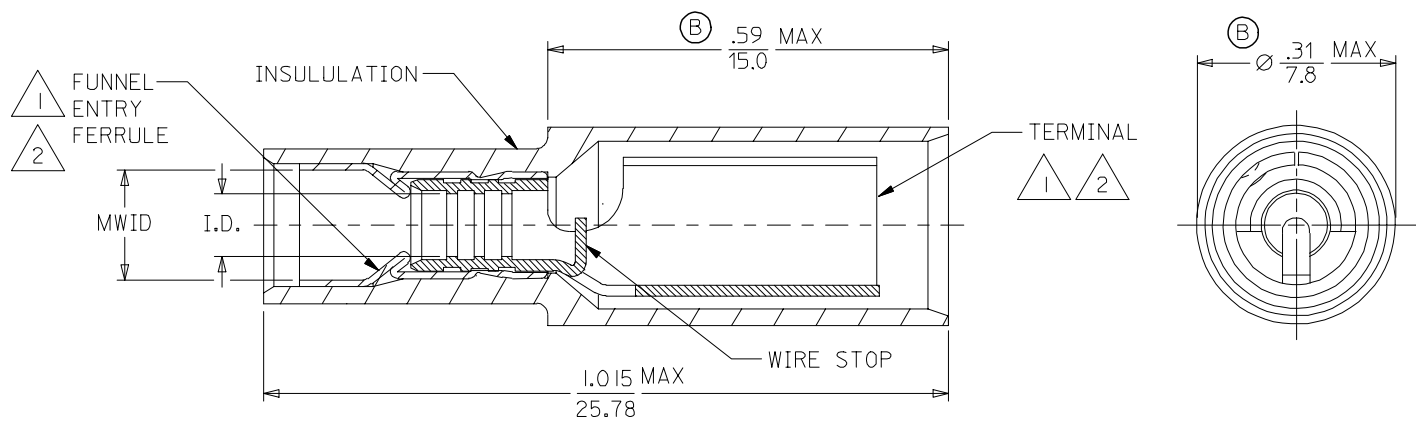
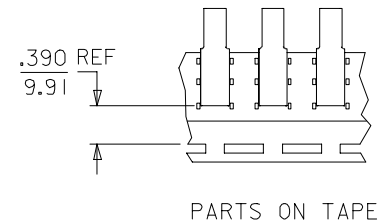
Global

Description	Product #
Hand Crimp Tool	0640012100
Crimp Head for the AT-200™ Pneumatic Hand Tool	0640052100

This document was generated on 06/08/2010

PLEASE CHECK WWW.MOLEX.COM FOR LATEST PART INFORMATION

MATERIAL NUMBER	ENGINEERING NUMBER	TAPE MATERIAL NUMBER	TAPE ENGINEERING NUMBER	WIRE RANGE AWG MM ²	INSULATION HOUSING MATERIAL	INSULATION COLOR	FITS MALE PLUG DIA.	I.D. MIN.	MWID MAX
190390001	BRA-8156	190390026	BRA-8156T	22-18 0.25-1.3	PVC	RED	.156/(3.96)	.069/(1.75)	.128/(3.25)
190390002	BRA-8156N	190390015	BRA-8156NT	22-18 0.25-1.3	NYLON	LIGHT RED	.156/(3.96)	.069/(1.75)	.128/(3.25)
190390003	BRA-8156NDK	---	---	22-18 0.25-1.3	NYLON	DARK RED	.156/(3.96)	.069/(1.75)	.128/(3.25)
190390004	BRA-8180	190390029	BRA-8180T	22-18 0.25-1.3	PVC	RED	.180/(4.57)	.069/(1.75)	.128/(3.25)
190390005	BRA-8180N	190390017	BRA-8180NT	22-18 0.25-1.3	NYLON	RED	.180/(4.57)	.069/(1.75)	.128/(3.25)
190390006	BRB-8156	190390023	BRB-8156T	16-14 1.0-2.6	PVC	BLUE	.156/(3.96)	.091/(2.31)	.150/(3.81)
190390007	BRB-8156N	190390016	BRB-8156NT	16-14 1.0-2.6	NYLON	LIGHT BLUE	.156/(3.96)	.091/(2.31)	.150/(3.81)
190390008	BRB-8156NDK	---	---	16-14 1.0-2.6	NYLON	DARK BLUE	.156/(3.96)	.091/(2.31)	.150/(3.81)
190390009	BRB-8180	190390030	BRB-8180T	16-14 1.0-2.6	PVC	BLUE	.180/(4.57)	.091/(2.31)	.150/(3.81)
190390010	BRB-8180N	190390018	BRB-8180NT	16-14 1.0-2.6	NYLON	BLUE	.180/(4.57)	.091/(2.31)	.150/(3.81)



- NOTES:
- 1. MATERIAL: BRASS
 - 2. FINISH: ELECTRO-TIN PLATING
 - 3. INSULATION MATERIAL: SEE CHART
 - 4. MWID - MAXIMUM WIRE INSULATION DIAMETER

SALES DRAWING

REVISED DIMENSION EC NO: ETC2005-0122 DRAWN BY: BENDERLE 2005/02/15 CHKDR: DEROSS 2005/02/15 APPR: DEROSS 2005/02/15	QUALITY SYMBOLS ▽=0 ▽=0	GENERAL TOLERANCES (UNLESS SPECIFIED)		DIMENSION STYLE IN/MM		SCALE NONE	DESIGN UNITS INCH	THIRD ANGLE PROJECTION	
		4 PLACES	± ---	± ---	DRAWN BY BRE	DATE 2002/07/15	TITLE AVIKRIMP FEMALE BULLET RECEPTACLE		
		3 PLACES	± ---	± .005	CHECKED BY HEB	DATE 2002/07/15			
		2 PLACES	± 0.13	± .01	APPROVED BY RWD	DATE 2002/07/15	MATERIAL NO. SD-19039-001		
1 PLACE	± 0.25	± ---	ANGULAR ± ---°		MATERIAL NO. SD-19039-001		SHEET NO. 1 OF 1		
DRAFT WHERE APPLICABLE MUST REMAIN WITHIN DIMENSIONS				THIS DRAWING CONTAINS INFORMATION THAT IS PROPRIETARY TO MOLEX INCORPORATED AND SHOULD NOT BE USED WITHOUT WRITTEN PERMISSION					